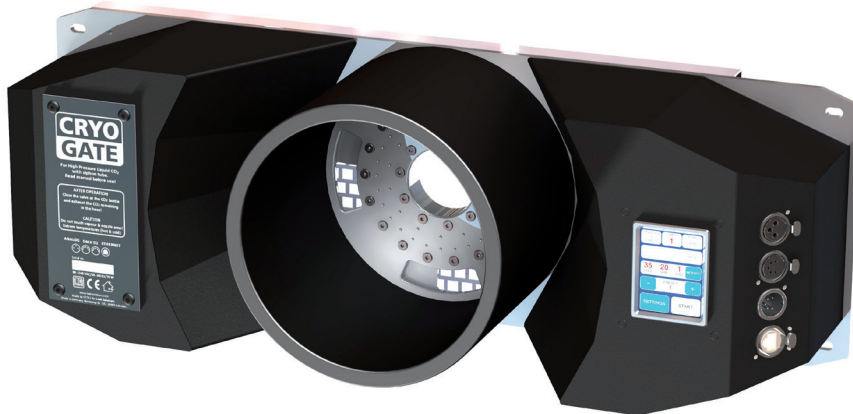


a Look Solutions product

Compact low fog attachment to be used with CO₂-high pressure bottles



Steady,
thick low fog

Manual, analogue-,
DMX-, Ethernet control

Touchscreen

Made in Germany

The **Cryo-Gate** is a compact device that mates up to any professional fogger. It enables the user to temporarily transform their existing fogger into a low fog generator.

The **Cryo-Gate** sits in front of the fogger's nozzle. A high-pressure dip-tube siphon CO₂ tank connects to the unit and allows the user to add a variable amount of CO₂ and air to the fog's output. The result is a cold fog that stays low.

A tube (Ø 200 mm) can be connected to the front of the **Cryo-Gate** to guide the fog into the requested direction. The tube can be around ten meters long, allowing to place the machine away from the stage to avoid disturbing noise.

Holes at the **Cryo-Gate** ease mounting it to a rack or building it into a flightcase.

Control

On the front of the unit is the touchscreen and the panel for 3-pin analog remote in, 5-pin DMX in/out and RJ-45 for Ethernet (sACN and Art-Net) connectivity.

On the rear is the CO₂ inlet, PowerCON True1 in/out, 5-pin DMX out to fogger and 3-pin analogue remote out to fogger.

The CO₂ consumption can be adjusted in three steps to vary the heights of the low fog.

Several adjustments can be made via Touchscreen:

At manual operation both - presets or own adjusted and saved values - can be used and recalled.

For analogue control the input voltage is between 0 and 10 V. If the voltage is more than 1 V, the machine is controlled via the analogue in, as long as DMX and Ethernet are not active.

The user can choose *DIRECT* (control with Look XLR-remote) or *LATCHED* (On/Off via pulse with push-button or radio remote) control.

Controlled via DMX 512, the **Cryo-Gate** needs four extension channels at the desk (Fog, Air, CO₂ and Fan). The start address can be adjusted and saved at the Touchscreen.

For control via Ethernet two protocols can be chosen: ArtNet and sACN.

Depending on the protocol that has been chosen, the Net, Subnet and Universe can be adjusted.

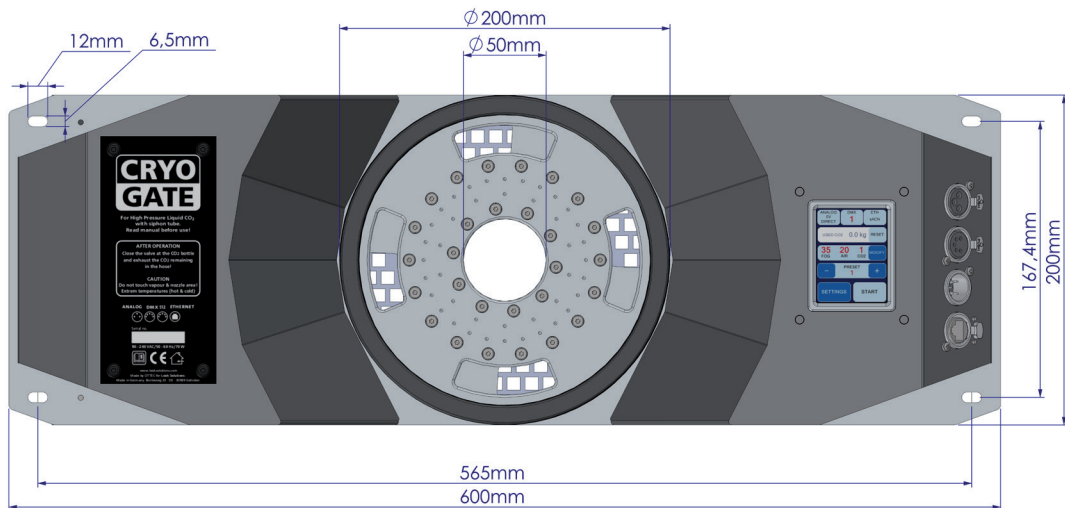
Also the IP-configuration of the **Cryo-Gate** can be made via Touchscreen.

Fluid

Use the fog fluid recommended for your fog machine. In either case the fluid has to be very quickly disappearing (e.g. Look Quick-Fog or Cryo-Fog-fluid), otherwise the fog will rise.

Even fog that has been cooled down with CO₂ will get warm after a while and rises.

Dimensions



Specifications

Voltage	90 to 240 VAC
Power requirement max.	65 W
Dimension (W x H x D)	60 x 20 x 17.7 cm
Weight	10.5 kg

Accessories

- XLR-remote for analogue control
- Radio remote

Advantages

- Can be used with fog generators that have been already bought
- Ethernet, DMX 512, analogue (0 - 10 V) and manual control
- Several adjustments (Air, CO₂- and fog output)
- Adjustments made via Touchscreen
- Compact
- Can be build into a flightcase
- Connector for tube
- CO₂ high pressure bottles can be rented nearly everywhere
- Made in Germany