

Orka & Orka/Case

9 kW fog generator

a Look Solutions product



The **Orka** is probably the most powerful machine in the world that is produced as a serial product. The machine is used wherever a high amount of fog in a very short time is needed.

Due to the enormous output even big halls or stadiums can be filled with fog.

Thus, the **Orka** is the perfect machine for big events, concerts, special effects, theme parks, for fire fighter and catastrophe trainings and much more.

The **Orka** is equipped with a connector for an external fan with max. 800 Watt.

As cased version (**Orka/Case**), the machine is already connected to a powerful fan which increases the output projection. With the installed diverter the airflow can be vertically diverted.

Features

- **Finest adjustments of the output**
Digital technology enables fine adjustments of the pump. In steps of 1% the output can be adjusted from 0 - 99%. Thus, any desired effect - from a tiny fog cloud to the thickest continuous fog - can be produced. This allows an individual adaptation to the dimensions of the room.
The fan can be adjusted separately from 0 - 99% .

- **DMX 512 as standard**
The **Orka** can be controlled via *DMX 512*. Pump and fan can here be controlled separately. Thus, the connected fan can be used as wind machine as well. The connection is done with 5pin-XLR-plugs, two following addresses will be taken.

The DMX start address can be adjusted and saved via the control panel. The address remains saved also when the machine is unplugged.

The machine can also be controlled with *analog (0 - 10V)* via a lighting desk or a XLR-remote (option). The adjustment of the fan is done directly at the machine, the pump can be adjusted via the analog control. The connection is done with 3-pin-XLR-plug.

A *Stand-Alone-Mode* is possible as well. The adjustments of the pump and the fan are done directly at the machine. Pressing the start button once, the machine starts running with the pre-adjusted levels.

- **Internal timer**
With the internal timer, the fogging time can be adjusted in seconds, the wait time in minutes and the output in %. Once the timer is activated, the adjusted program will run until the timer is deactivated.

- **Control panel**
The control panel with LED display and simple symbols allow an easy operation. It also protects the control buttons against dirt.

- **Robust flightcase version**
The flightcase on wheels protect the inbuilt machine and fan and ensures an easy transport and flexible handling. Handles at both sides of the case allow an easy lifting. Removable lids enable direct access to control panels and fluid tank.

Liquid

The following Look fog liquids are available for the **Orka and Orka/Case**:

Quick-Fog (thick, quick disappearing fog liquid)
Regular-Fog (thick, long lasting fog liquid)
Slow-Fog (thick, extremely long lasting fog liquid)

Specifications

Procedure	Vaporizing fog generator
Power requirement	9000 Watt
Voltage	3 x 230 V with neutral/50 Hz or 1 x 208 V/60 Hz/40 A
Heat-up time	approx. 15 min.
Fluid consumption at max. output	500 ml/min.
Fluid tank capacity	5 liter (169 oz)
Fog output	adjustable in 99 steps (1% steps)
Output projection	approx. 30 m (98.4 ft)
Fog time at 100% output at < 50% output	approx. 2,5 min. continuous output
Connector for fan	max. 800 Watt internal capacitor
Air output	adjustable in 99 steps (1% steps)
Temperature control	microprocessor controlled
Overheating protection	Heater block with thermostat Pump with temperature switch
Control	DMX 512 0-10 V analog Stand alone internal timer Radio remotr (option)
Dim. Orka (L x W x H)	60.7 x 34 x 28.5 cm (23.8 x 13.3 x 11.2 in)
Dim. Orka/Case	80 x 60 x 87 cm (31.4 x 23.6 x 34.2 in)
Weight Orka	30 kg (66.1 lb)
Weight Orka/Case	93 kg (205 lb)

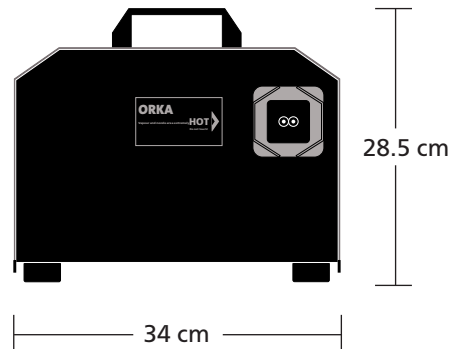
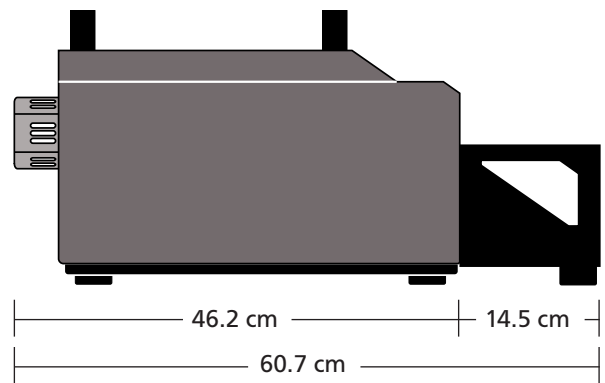
Technical Data Fan (flightcase version)

Procedure	Centrifugal blower
Voltage	230 V/50 Hz
Air volume	2020 m ³ /h
Power	1060 Watt
Current	5.38 A
Capacitor (internal)	10 µF/450 VDB

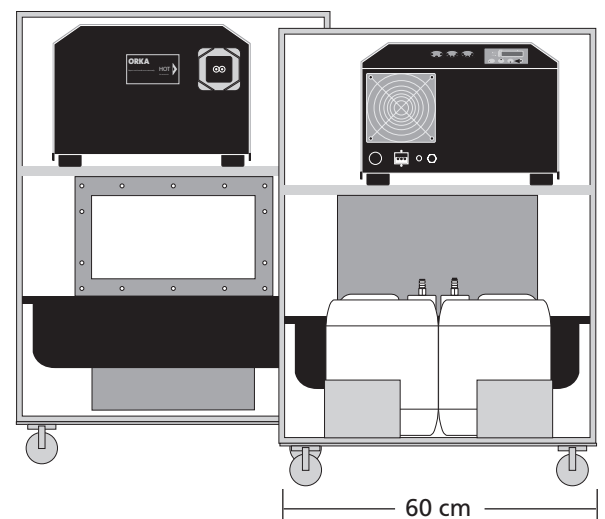
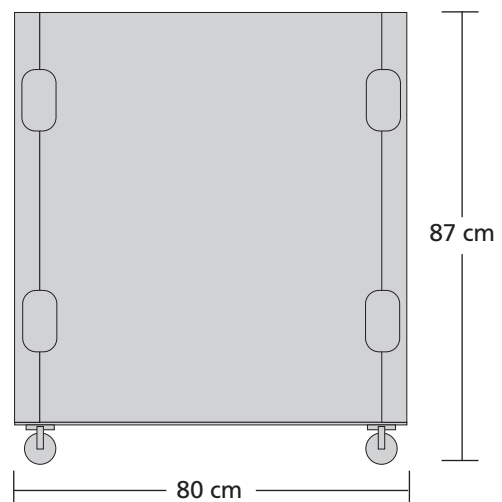
Advantages

- DMX 512 as standard, analog (0 - 10 V) and Stand-Alone-Mode
- Internal timer
- Control panel with LED-display and simple symbols for an easy operation
- Extremely high and powerful output
- Fog- and air projection adjustable separately
- Continuous output
- Made in Germany

Dimensions Orka



Dimensions Orka/Case



Accessories

- XLR-Remote for analog control
- Radio remote