



Latest technology in a small case.

a Look Solutions product



battery powered  
fog generator

small and efficient

one-hand-operation

made in Germany

The **Tiny CX** is the latest, modified version of the successful Tiny C07.

Unlike the Tiny C07, the **Tiny CX** has a changeable battery. Thus, the machine is even more efficient. If the battery is empty, a new one can simply be inserted without losing time with recharging.

#### The machine

The **Tiny CX** is a handy, compact battery-driven fog generator. Its easy handling and quick start-up is outstanding.

With its warming up time of less than a second, its light weight (630 grams) and the small dimensions (L=25 x W=5.3 x H=5.5 cm), this machine is applicable in many fields of operation.

In the world of theatre, film, TV and photographers, musicals and special effects, as well as air flow and air tightness testing – everywhere where fog is needed quickly and unobtrusively, the **Tiny CX** is the perfect alternative to normal fog generators.

#### The technology

All components of the machine have been built into a small and robust housing.

Just like the Tiny FX, the heart of the generator is a programmable microprocessor which controls and supervises all important functions. This guarantees a continuous and safe running of the generator.

A compact battery (L = 10.5 cm, W = 4.4 cm, H = 4.1 cm) supplies the **Tiny CX** with the 11.1 V supply. The battery can be inserted into the machine and can be easily changed if necessary.

Because of an intelligent control mechanism the battery supplies energy only when necessary.

Thus the fog time is greatly increased compared to other battery powered machines.

#### The operation

The **Tiny CX** is ready to go directly. Only the battery has to be inserted and the fluid tank has to be filled with original Tiny-Fluid. The fogging process can be started immediately and continuously.

##### • Control

The **Tiny CX** is triggered with a start button which is integrated into the lid of the machine.

As an option, you can trigger the generator with cable remote or radio remote. The remote will be connected to the machine by using a mini-stereo-jack cable. You can also control the machine via DMX 512 with a DMX-converter.

##### • Minimal fluid consumption

The Tiny-Fluid ensures dense fog is produced with the lowest of fluid consumption (approx. 2.3 ml/min. at continuous output).

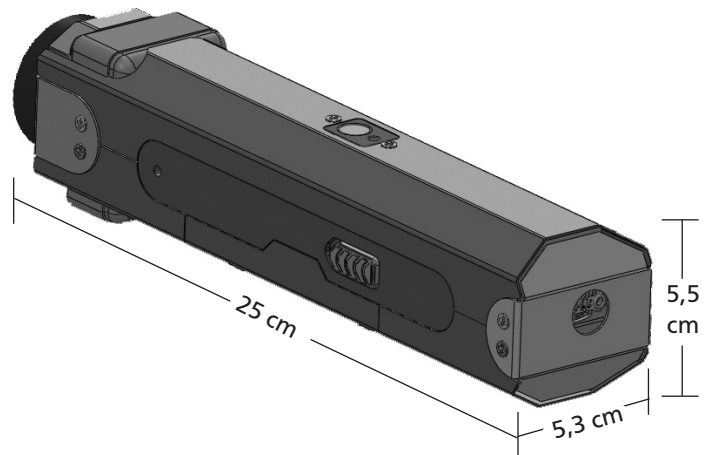
##### • Service

The vaporizer of the machine can be easily changed by the user on site.

## Technical data

<b>Procedure</b>	Vaporizing fog generator
<b>Power requirement</b>	70 Watt
<b>Voltage</b>	11.1 V with battery pack
<b>Warm up time</b>	0.5 seconds
<b>Fluid tank capacity</b>	50 ml
<b>Fluid consumption</b>	2,3 ml/min. at cont. Output
<b>Fogging time</b>	programmable via cable or radio remote
<b>Continuous output with battery pack</b>	approx. 15 minutes
<b>Control</b>	Start button in the lid Cable remote (option) Radio remote (option) DMX 512-converter (option) Timer (option)
<b>Dimensions Tiny CX (L x B x H)</b>	25 x 5.3 x 5.5 cm 9.8 x 2.0 x 2.1 in
<b>Weight Tiny CX</b>	630 g / 22.2 oz

## Dimensions



## Advantages

- Small dimensions and light weight
- Battery supplies energy only when the fogging process is activated. Thus ensures an increased fog time and ready for operation time
- Warm up time less than 1 second
- Continuous output
- Fogging time programmable
- Control via start button and as an option with cable remote, radio remote, DMX-converter or timer
- Vaporizer can easily be changed if necessary
- Minimal fluid consumption (2,3 ml/min. at continuous output)
- Supplied in a case for transport and stocking
- Made in Germany

## Package includes

- Tiny CX with internal fluid tank 50 ml
- Battery pack 11.1 V
- Charger
- 250 ml Tiny-Fluid
- Case

## Accessories

- Cable remote
- Radio remote
- Duct adaptor
- Y-Splitter
- Silikon tube, Ø 15 mm
- Timeit, timer
- DMX-converter

## Service

Based on the strong partnership with our manufacturer Look Solutions is able to provide a quick and easy service which guarantees the high quality of all products.